

PRODUCT CODE: SAD2
STOCK & DIE SET

DESCRIPTION

32mm Stock & Die Set

FINISH

Self Colour

MATERIAL

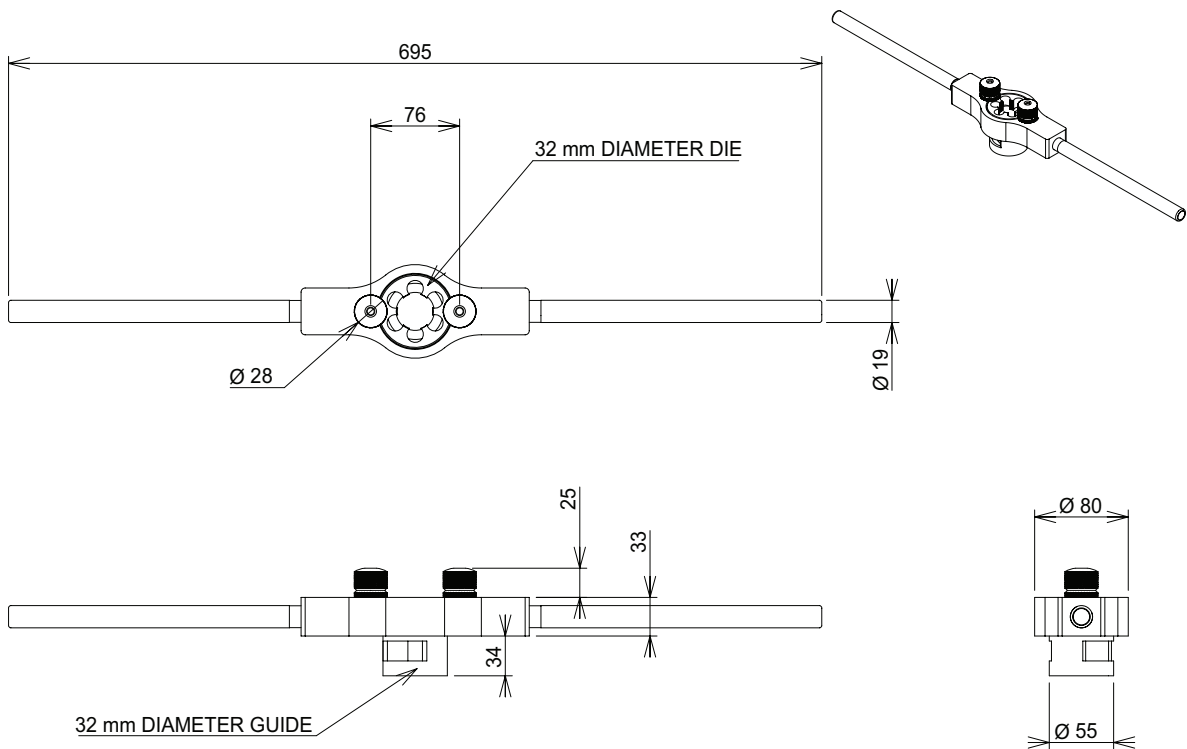
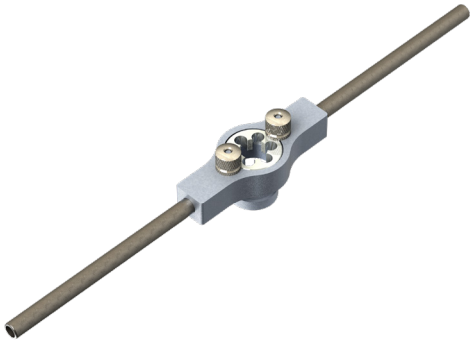
Steel

PACKAGING

Supplied individually

ADDITIONAL NOTES

Consists; 1 x 32mm die stock, 1 x 32mm die and 1 x 32mm guide



Values are nominal and with a general tolerance $\pm 5\%$ unless otherwise specified